

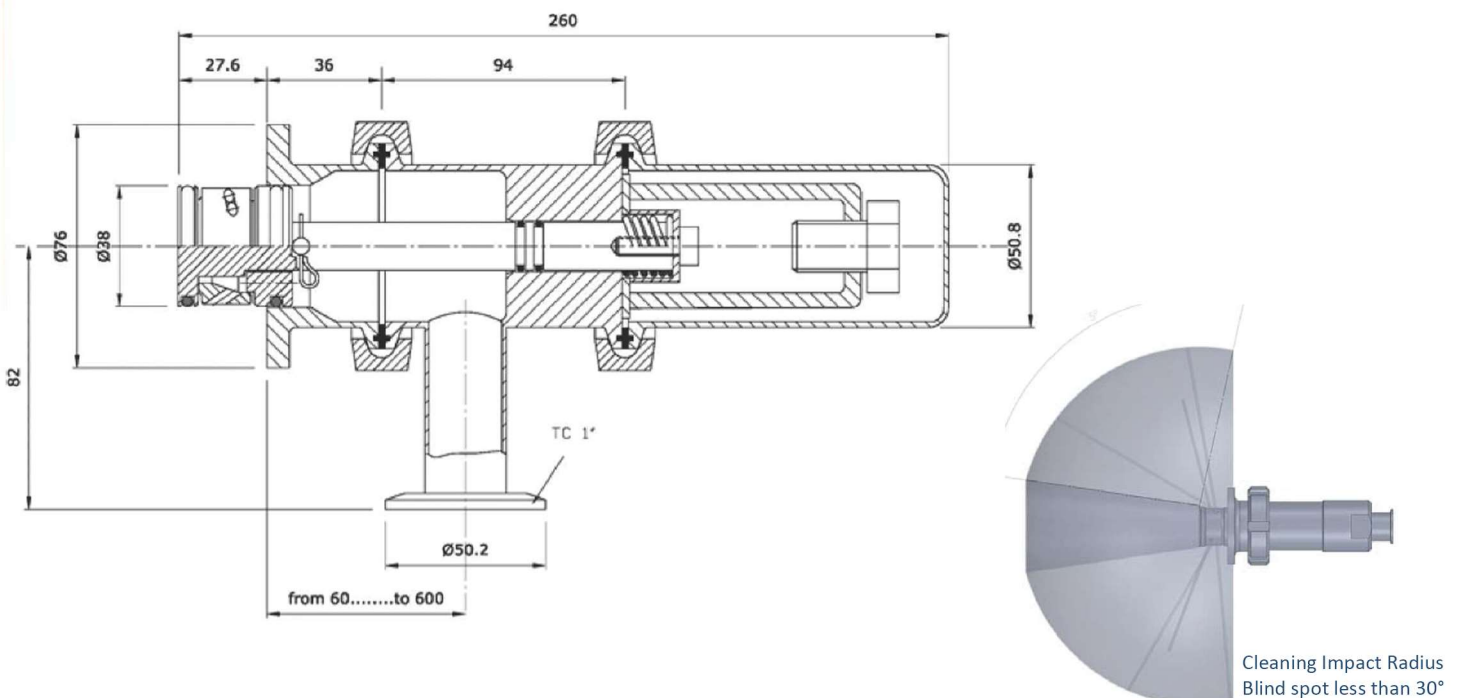
## Retractable – High Cleaning Impact through high speed cleaning head

### CMT CIP Nozzle – Series CMT HF ST and CMT HF PA

The CMT HF CIP nozzle is a high impact cleaning nozzle in sanitary design.

#### CMT HF CIP main features:

- Open and close by pneumatic actuators or by the liquid pressure
- Self lubricating with cleaning media
- Active impact radius 2.5 meters
- Wetting radius 3.3 meters
- Blind spot less than 30°
- Variable stroke length from 100 to 600 mm
- Standard material AISI 316. Other materials like AISI 316L or Hastelloy are available.
- Weld directly into the vessel or duct and flush with the adjacent areas
- ATEX certificate available
- Material certificates 2.2 or 3.1 available



## TECHNICAL SPECIFICATION

Wetting radius: up to 3.3 meters  
 Impact cleaning radius: up to 2.5 meters  
 Spray angle: 75 – 150 °  
 Max. working temperature: 120 °C  
 Max. ambient temperature: 150 °C  
 Weight: 3 - 4 kg depending on stroke length and actuation type

Materials  
 Product area: AISI 316 as standard  
 Spray Head: PTFE  
 Non-product area: AISI 316 as standard  
 Gaskets: Viton EPDM as standard

Surface treatment  
 Product contact surfaces: Ra 0.8 micron  
 Non product contact parts: Ra 1.6 micron

Available certification: Material certification 2.2 or 1935/2004 or ATEX

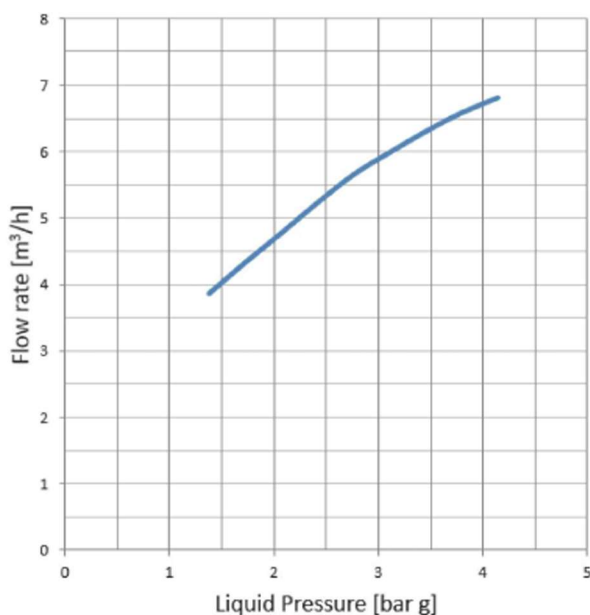
For model CMT HF ST with liquid pressure activation

Liquid Supply pressure: 2 - 4 bar  
 Recommended pressure: 2 bar  
 Liquid flow: 4.6 m<sup>3</sup>/h @ 2 bar

For model CMT HF PA with liquid pressure activation

Liquid Supply pressure: 4.1 - 6.9 bar  
 Recommended pressure: 5 bar

**CMT CIP Nozzle HF**  
Flow rate vs. Liquid Pressure



**CMT CIP Nozzle HF**  
Cleaning radius vs. Liquid Pressure

