

Retractable – High Cleaning Impact with minimum liquid consumption

CMT CIP Nozzle – Series CMT LF ST

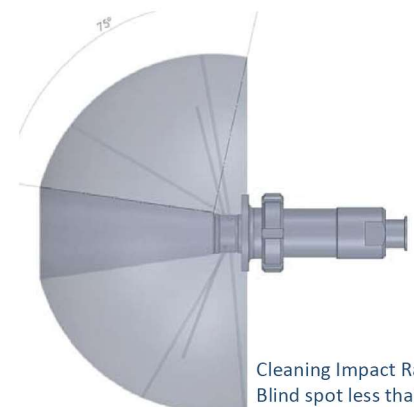
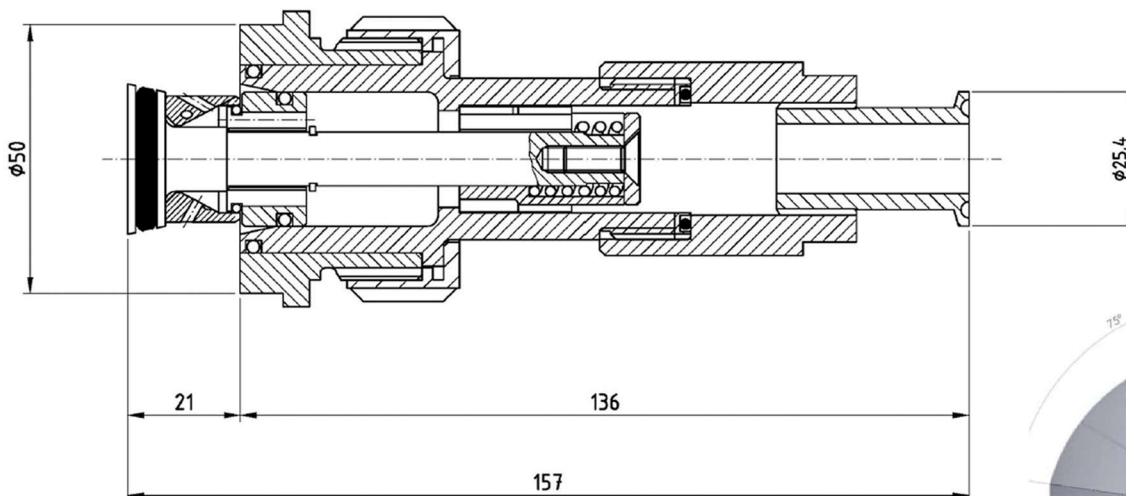


The CMT LF ST CIP nozzle is a high impact cleaning nozzle in sanitary design and with a minimum of cleaning liquid consumption.

This makes this nozzle a valuable alternative to the standard static spray balls and commonly used retractable CIP nozzles with a much higher necessary operational liquid flow rates.

CMT LF ST CIP main features:

- Open and close by the liquid pressure
- Self lubricating with cleaning media
- Active impact radius 1.8 meters
- Wetting radius 4.5 meters
- Blind spot less than 30°
- Standard material AISI 316. Other materials like AISI 316L or Hastelloy are available.
- Weld directly into the vessel or duct and flush with the adjacent areas
- ATEX certificate available
- Material certificates 2.2 or 3.1 available



Cleaning Impact Radius
Blind spot less than 30°

TECHNICAL SPECIFICATION

Wetting radius: up to 4.5 meters
Impact cleaning radius: up to 1.8 meters
Spray angle: 70 – 150 °
Max. working temperature: 120 °C
Max. ambient temperature: 150 °C
Weight: 1 kg

Materials
Product area: AISI 316 as standard
Spray Head: PTFE
Non-product area: AISI 316 as standard
Gaskets: Viton EPDM as standard

Surface treatment
Product contact surfaces: Ra 0.8 micron
Non product contact parts: Ra 1.6 micron

Available certification: Material certification 2.2 or 3.1 or ATEX

For model CMT LF with liquid pressure activation

Liquid Supply pressure: 1.8 - 4 bar
Recommended pressure: 2 bar
Liquid flow: 1.8 m³/h @ 2 bar

